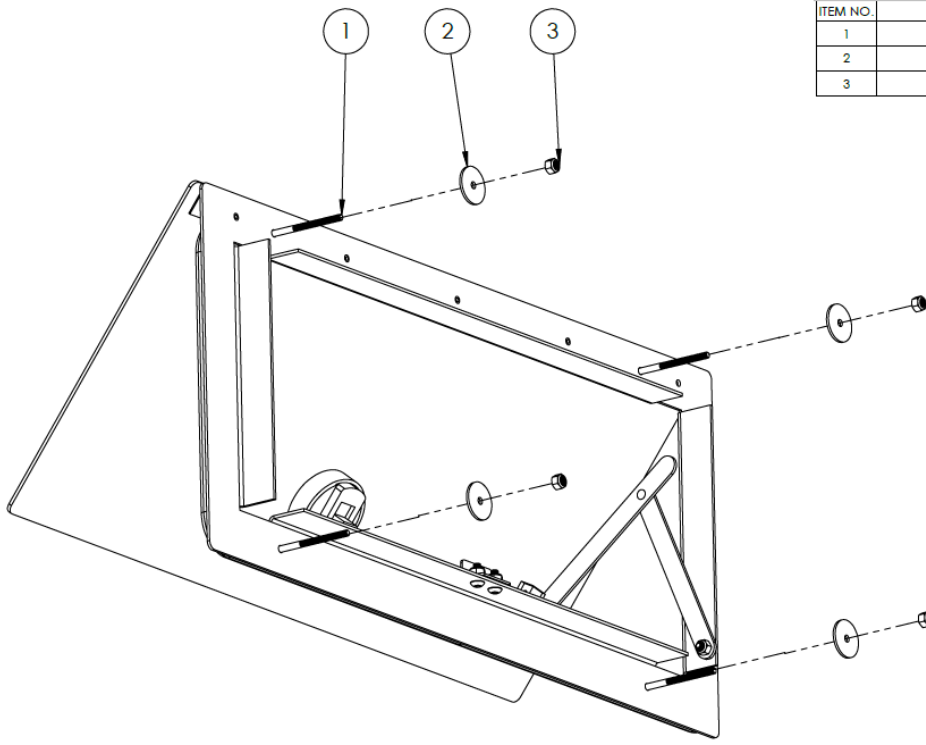


Air Conditioning Vent Hatch Installation Manual

Parts



| ITEM NO. | DESCRIPTION | QTY. |
|----------|------------------|------|
| 1 | #8-32 X 2" Screw | 4 |
| 2 | #8-32 Nyloc Nut | 4 |
| 3 | Washer | 4 |

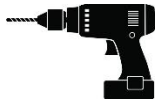
Tools and Materials



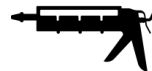
- #2 Philips & Square Screwdrivers



- Utility Knife or Scissors



- Drill with 3/16" Bit



- Caulk or RTV Sealant



- 11/32" Wrench or Socket



- Assistant

Air Conditioning Vent Hatch Installation Manual

Procedures

Step one: Remove Air-Conditioning Unit

Inside the trailer remove the trim panel surrounding the A/C and remove it from the cabinet. (The unit is not affixed to the cabinet and can be lifted over the front lip.)

Step two: Drill Mounting Holes

Remove the 4 screws from existing AC vent they will not be reused. The existing holes should align with the mounting holes in the new vent hatch and should be drilled all the way thru the wall with a 3/16 drill bit. However, there may be a slight misalignment with the new holes. It is recommended that you drill the top two holes and use them to align the new hatch. Once the top holes are aligned use the bottom holes as guides to drill the bottom holes.

Step three: Install Vent Hatch

Run small bead of silicon caulk around vent opening (about ¼" from edge), Insert the four-mounting screw into the vent hatch frame. Align the vent hatch frame with the mounting holes and have an assistant attach the washers and nuts from the inside. **DO NOT OVER TIGHTEN!** The nuts only need to be tight enough to pull the hatch frame flush to the outside wall.

Step four: Seal the Vent Hatch

Run a small bead of caulk along the edge of the vent hatch frame and wipe off excess. Using masking tape along all edges will assist in achieving a clean caulk line.

Step five: Reinstall the Air-Conditioning Unit

Place the A/C unit back inside the cabinet ensuring the power cord does not get pinched behind the A/C unit it in and reinstall the trim panel.

Caution!

Remember to open the vent hatch before operating the air-conditioning unit.

Failure to do so may result in over heating or damage to air-conditioning unit.

Affix enclosed decal on front of your AC unit after installation.

